

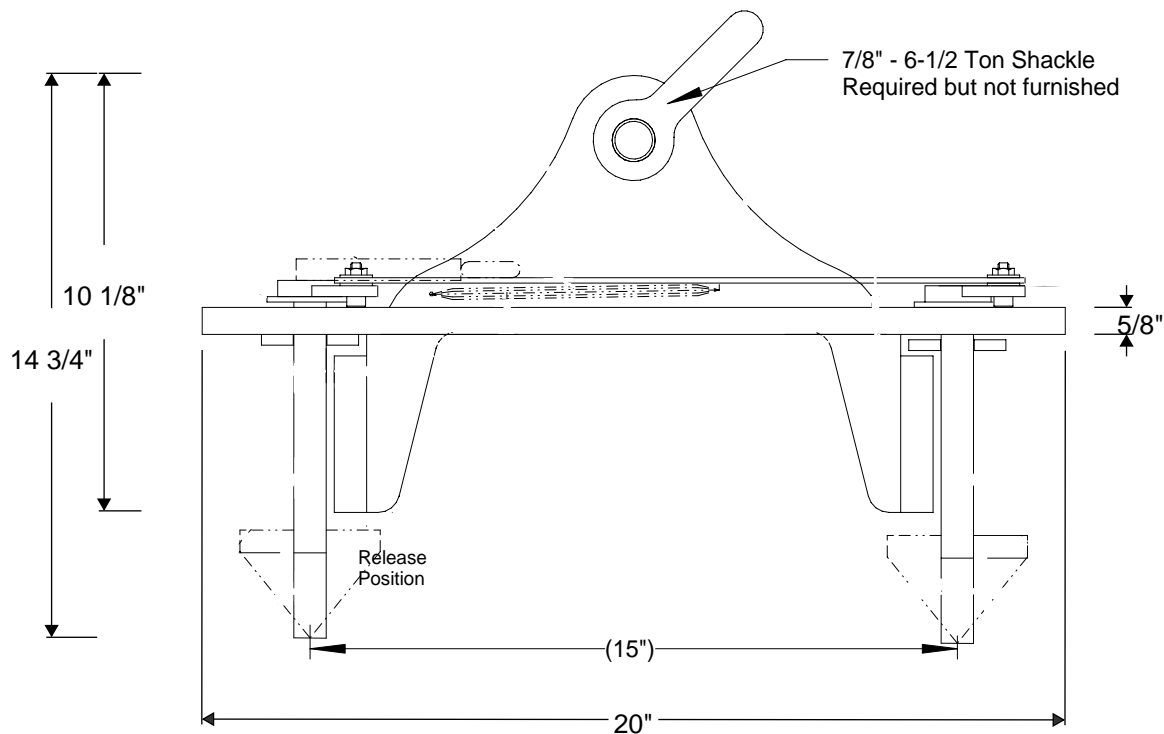


6000# K SERIES SPECIFICATIONS
UNITED STATES MODEL
REV 1.2 04-01-13
Patent No. US 8,418,979

Features & Benefits

- Solid steel construction with powder coat finish for long durability
- Nylon rope and carabiner included for release system
- Fully welded construction, minimizing maintenance costs
- Innovative and patented design
- Proof tested to 2 times the working load limit with certification (12,000#)
- Each product is individually serialized, with the serial number stamped on body
- User manual included with each tool
- 2-year warranty
- OSHA Reviewed
- Manufactured in the USA

Dimensions & Weight



Weight: 28 lbs